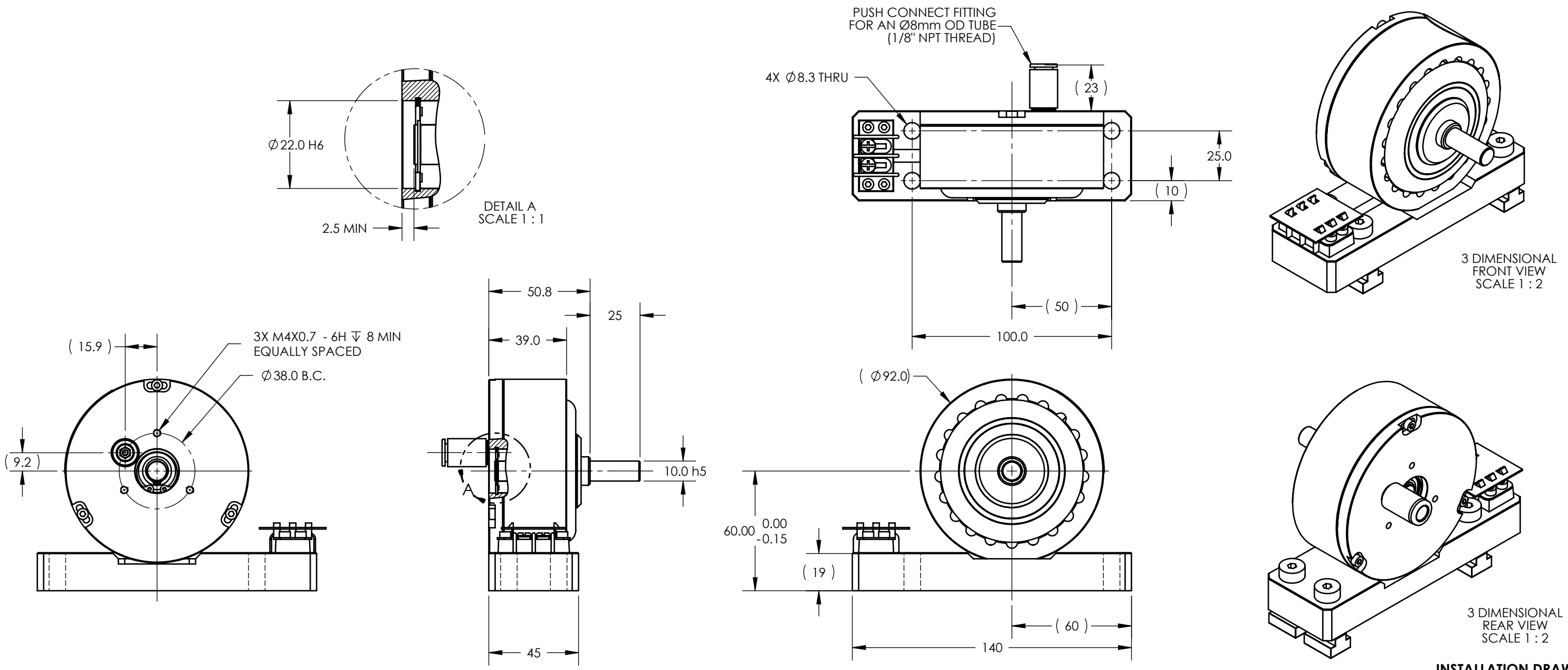


MODEL	STOCK CODE	MINIMUM TORQUE AT RATED CURRENT (Nm)	COIL DATA				MAXIMUM SPEED (RPM)	KINETIC POWER RATINGS			DE-ENERGIZED DRAG TORQUE @ 1000 RPM (Nm)	EXTERNAL INERTIA (kg cm <sup>2</sup> )	TORQUE TO INERTIA RATIO (rad/s <sup>2</sup> )
			RATED CURRENT (mA)	RESISTANCE ±10% @ 25°C (ohms)	VOLTAGE (Vdc)	NOMINAL POWER (watts)		AIR SUPPLY* (kPa)	5 MINUTE (watts)	CONTINUOUS (watts)			
AHB-1	005676	1.0	400	60	24	9.6	25,000	620±35	1200	1200	5.42 x 10 <sup>-3</sup>	8.76 x 10 <sup>-1</sup>	11,420
								NO AIR	250	55			

**SOLID MODEL AVAILABLE**

- \* AIR SUPPLY NOTES:
- CUSTOMER IS TO SUPPLY CLEAN, DRY AIR.
  - APPROXIMATE AIR CONSUMPTION IS: 283 liter/minute @ 620 kPa



TYPICAL SOUND PRESSURE: 110db

WARNING: HIGH SOUND LEVELS CAN CAUSE PERMANENT HEARING LOSS. USE HEARING PROTECTION WHILE THIS PRODUCT IS IN USE.

MATERIAL:	DESIGN	JEF	07/14/05		<b>MAGTROL INC.</b> 70 GARDENVILLE PKWY, W. BUFFALO, NEW YORK 14224-1322
FINISH:	DRAWN	JEF	09/29/05		
	CHECKED	AJC	08/09/07		
THIRD ANGLE PROJECTION	UNLESS OTHERWISE SPECIFIED: DIMENSIONS ARE IN MILLIMETERS DIAMETERS CONCENTRIC: .08 TIR FACES PERPENDICULAR: .08 INTERPRETATION PER ASME Y14.5M-1994 REMOVE ALL BURRS AND BREAK SHARP EDGES 0.13/0.25 X 45° INSIDE CORNERS TO BE R 0.5 MAX TOLERANCES: .X ± .25      X ± .4 .XX ± .13     X° ± 1° SURFACE FINISH 3.2 µm MAX			TITLE: <b>AHB-1, AIR COOLED HYSTERESIS BRAKE</b>	
THIS DRAWING AND SPECIFICATION CONTAINS PROPRIETARY INFORMATION TO MAGTROL INC. ANY DISCLOSURE OR REPRODUCTION OF THIS DOCUMENT WITHOUT WRITTEN AUTHORIZATION FROM MAGTROL INC. IS EXPRESSLY PROHIBITED				USED ON: -	REV
				SIMILAR TO: -	D
				DWG NO:	AHB-1
				SIZE	B
				SCALE	1:2
				SHEET #	

**INSTALLATION DRAWING**