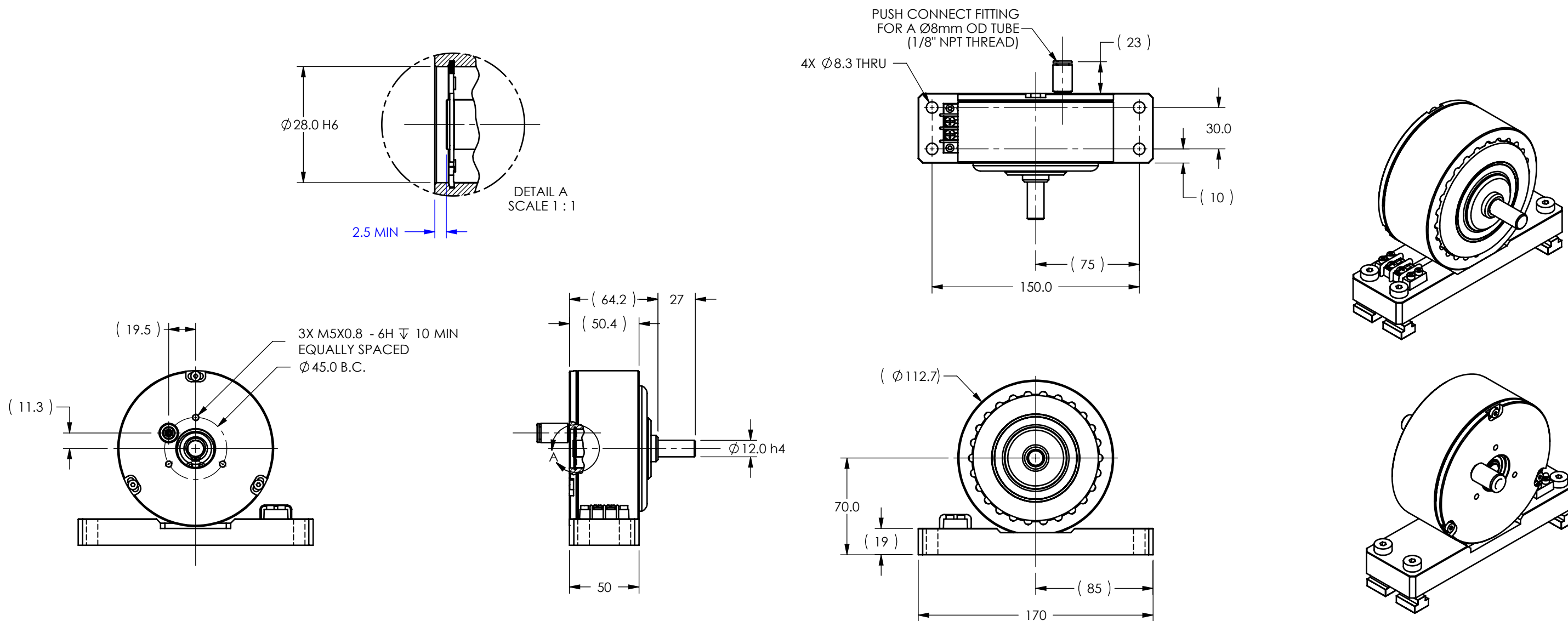



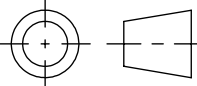
MODEL	STOCK CODE	MINIMUM TORQUE AT RATED CURRENT (Nm)	RATED CURRENT (mA)	RESISTANCE ±10% @ 25°C (ohms)	VOLTAGE (Vdc)	NOMINAL POWER (watts)	MAXIMUM SPEED (RPM)	KINETIC POWER RATINGS			DE-ENERGIZED DRAG TORQUE @ 1000 RPM (Nm)	EXTERNAL INERTIA (kg cm ²)	TORQUE TO INERTIA RATIO (rad/s ²)
								AIR SUPPLY* (kPa)	5 MINUTE (watts)	CONTINUOUS (watts)			
AHB-1.5	006686	1.50	400	64	25.6	10.24	25,000	620±35	1,300	1,300	7.77 x 10 ⁻³	2.75	5,455
								NO AIR	450	70			


SOLID MODEL AVAILABLE

- * AIR SUPPLY NOTES:
 • CUSTOMER IS TO SUPPLY CLEAN, DRY AIR.
 • APPROXIMATE AIR CONSUMPTION IS: 283 liter/minute @ 620 kPa



INSTALLATION DRAWING

MATERIAL: -	DESIGN	JEF	12/01/10	 MAGTROL INC. 70 GARDENVILLE PKWY, W. BUFFALO, NEW YORK 14224-1322
	DRAWN	JEF	12/02/10	
FINISH: -	CHECKED	AJC	12/14/10	TITLE: AHB-1.5 HYSTERESIS BRAKE
	THIRD ANGLE PROJECTION			UNLESS OTHERWISE SPECIFIED: DIMENSIONS ARE IN MILLIMETERS DIAMETERS CONCENTRIC: 0.08 TIR FACES PERPENDICULAR: 0.08 INTERPRETATION PER ASME Y14.5M-1994 REMOVE ALL BURRS AND BREAK SHARP EDGES 0.13/0.25 X 45° INSIDE CORNERS TO BE R 0.5 MAX TOLERANCES: X ± 0.4 X.XX ± 0.13 X.X ± 0.25 ANG ± 1° SURFACE FINISH 3.2 μm MAX
THIS DRAWING AND SPECIFICATION CONTAINS PROPRIETARY INFORMATION TO MAGTROL INC. ANY DISCLOSURE OR REPRODUCTION OF THIS DOCUMENT WITHOUT WRITTEN AUTHORIZATION FROM MAGTROL INC. IS EXPRESSLY PROHIBITED				USED ON: - SIMILAR TO: - DWG NO: AHB-1.5 REV D
SIZE B		SCALE 1:3		

TYPICAL SOUND PRESSURE: 110db
 **WARNING: HIGH SOUND LEVELS CAN CAUSE PERMANENT HEARING LOSS. USE HEARING PROTECTION WHILE THIS PRODUCT IS IN USE.**