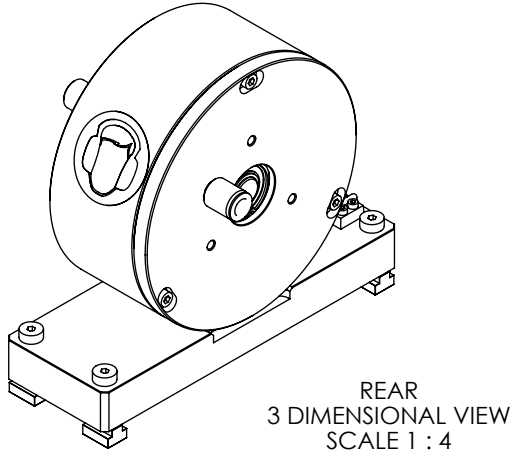
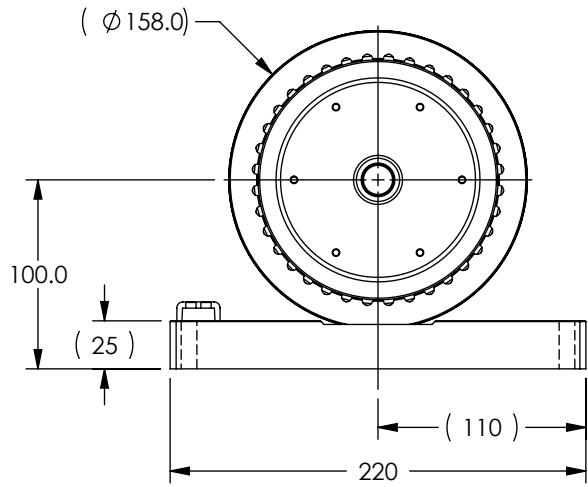
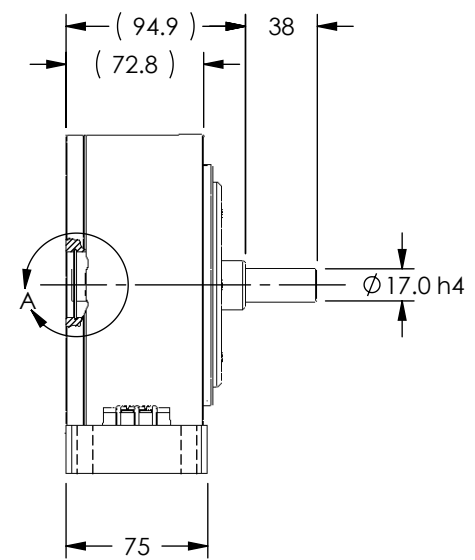
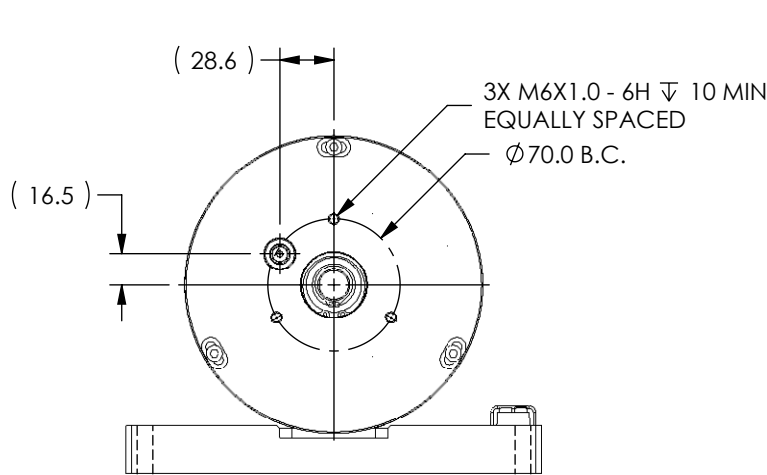
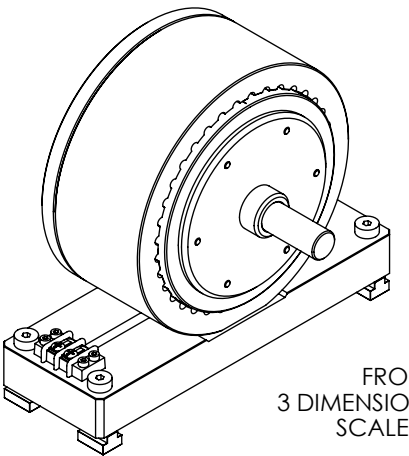
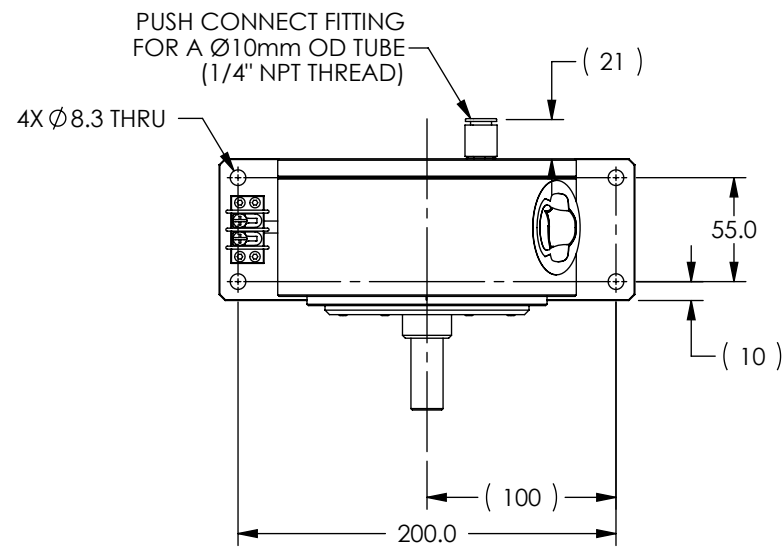
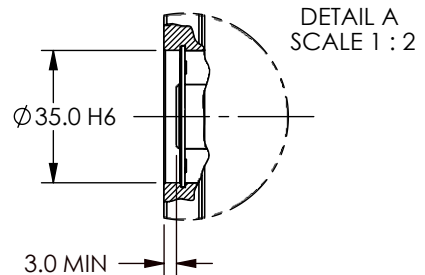


MODEL	STOCK CODE	MINIMUM TORQUE AT RATED CURRENT (Nm)	RATED CURRENT (mA)	RESISTANCE ±10% @ 25°C (ohms)	VOLTAGE (Vdc)	NOMINAL POWER (watts)	MAXIMUM SPEED (RPM)	KINETIC POWER RATINGS			DE-ENERGIZED DRAG TORQUE @ 1000 RPM (Nm)	EXTERNAL INERTIA (kg cm ²)	TORQUE TO INERTIA RATIO (rad/s ²)
								AIR SUPPLY* (kPa)	5 MINUTE (watts)	CONTINUOUS (watts)			
AHB-5	005828	5.0	383	60	22.8	8.66	15,000	620±35	2,500	1,000	5.00 x 10 ⁻²	1.31 x 10 ¹	3,830
								NO AIR	1,300	120			

SOLID MODEL AVAILABLE

- * AIR SUPPLY NOTES:
- CUSTOMER IS TO SUPPLY CLEAN, DRY AIR.
 - APPROXIMATE AIR CONSUMPTION IS: 425 liter/minute @ 620 kPa



TYPICAL SOUND PRESSURE AT 1 METER: 110db

WARNING: HIGH SOUND LEVELS CAN CAUSE PERMANENT HEARING LOSS. USE HEARING PROTECTION WHILE THIS PRODUCT IS IN USE.

MATERIAL:	DESIGN	JEF	08/23/06	<p>MAGTROL INC. 70 GARDENVILLE PKWY, W. BUFFALO, NEW YORK 14224-1322</p>			
FINISH:	DRAWN	JEF	05/23/07				
	CHECKED	AJC	05/24/07				
THIRD ANGLE PROJECTION	<p>UNLESS OTHERWISE SPECIFIED: DIMENSIONS ARE IN MILLIMETERS, DIAMETERS CONCENTRIC: .08 TIR, FACES PERPENDICULAR: .08 INTERPRETATION PER ASME Y14.5M-1994 REMOVE ALL BURRS AND BREAK SHARP EDGES .13/.25 X 45°, ALL INSIDE CORNERS TO BE .5 R MAX. TOLERANCES: X ± .4 .XX ± .13 .X ± .25 ANG. ± 1° SURFACE FINISH 3.2 µm MAX. U.O.S.</p>			TITLE	AHB-5, AIR COOLED HYSTERESIS BRAKE		
THIS DRAWING AND SPECIFICATION CONTAINS PROPRIETARY INFORMATION TO MAGTROL INC. ANY DISCLOSURE OR REPRODUCTION OF THIS DOCUMENT WITHOUT WRITTEN AUTHORIZATION FROM MAGTROL INC. IS EXPRESSLY PROHIBITED				USED ON: - SIMILAR TO: -	REV	B	
			DWG. NO.	AHB-5	SHEET #		3 OF 3
			SIZE	B	SCALE	1:4	