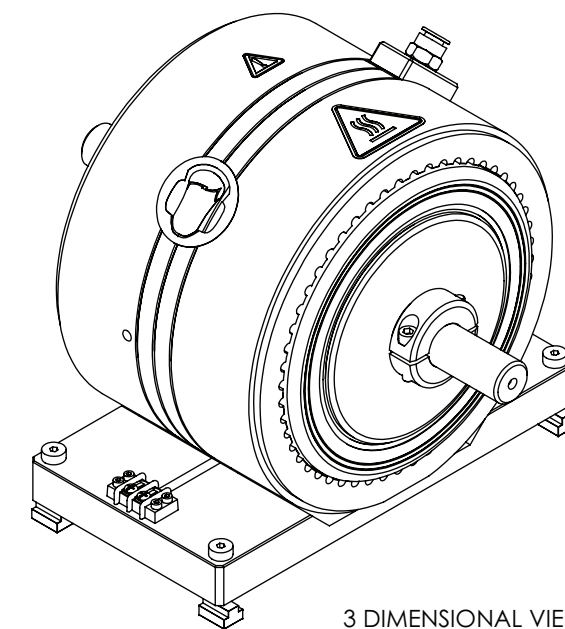
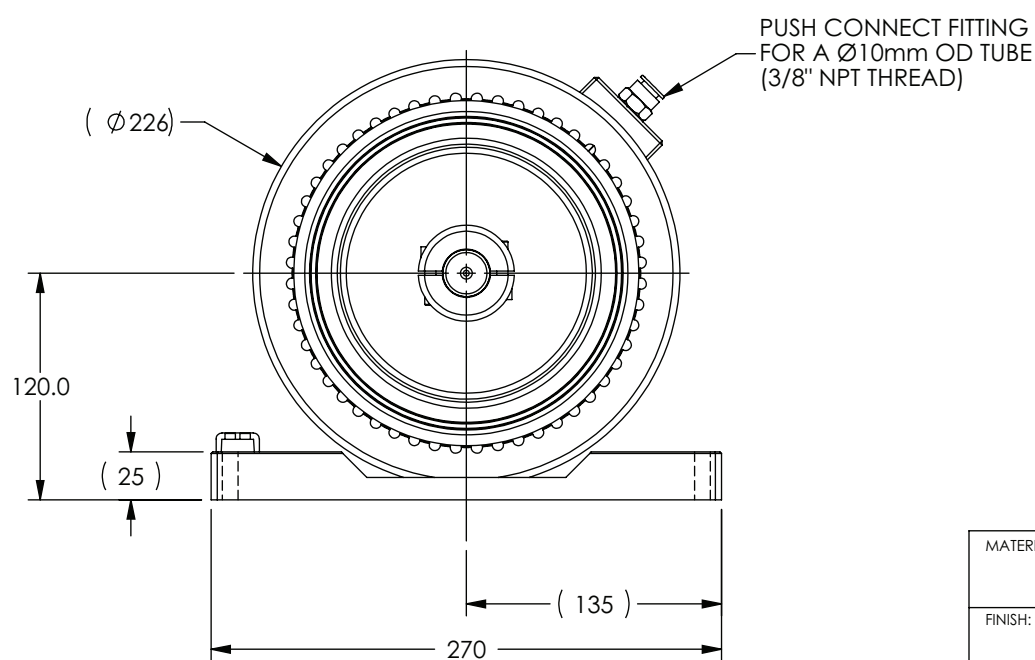
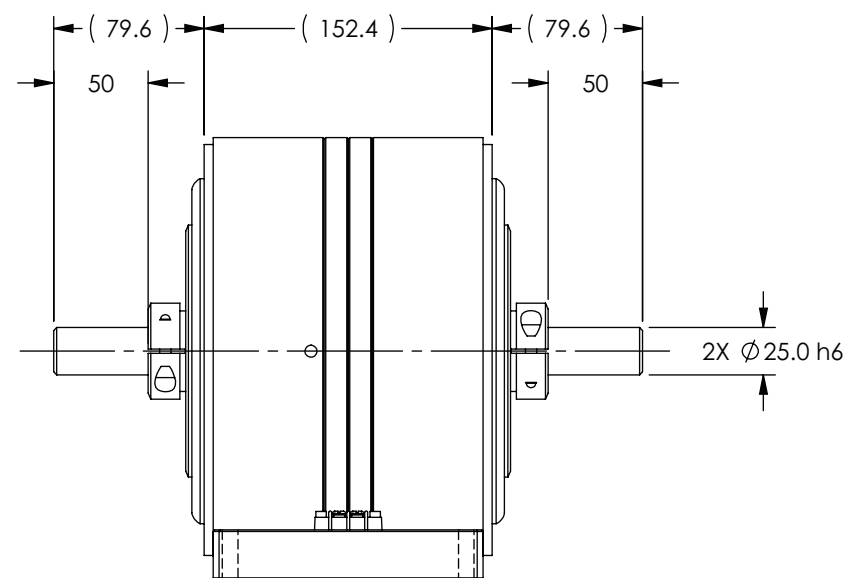
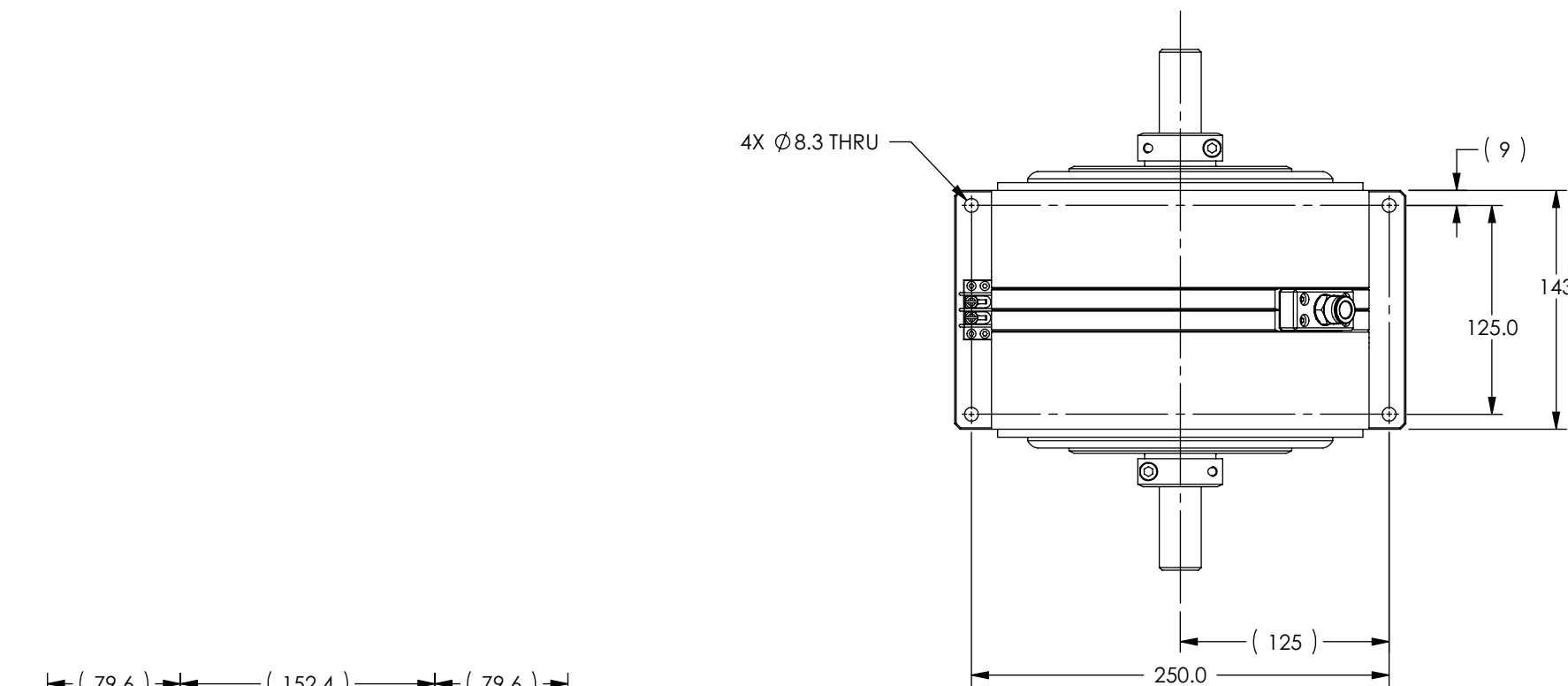


MODEL	STOCK CODE	MINIMUM TORQUE AT RATED CURRENT (Nm)	RATED CURRENT (mA)	RESISTANCE ±10% @ 25°C (ohms)	VOLTAGE (Vdc)	NOMINAL POWER (watts)	MAXIMUM SPEED (RPM)	KINETIC POWER RATINGS			DE-ENERGIZED DRAG TORQUE @ 1000 RPM (Nm)	EXTERNAL INERTIA (kg cm ²)	TORQUE TO INERTIA RATIO (rad/s ²)
								AIR SUPPLY* (kPa)	5 MINUTE (watts)	CONTINUOUS (watts)			
AHB-24	006077	24.0	2400	10	24	57.6	12,000	620±35	5,300	3,000	1.36 X 10 ⁻¹	1.12 X 10 ²	2,140
								NO AIR	4,000	450			

SOLID MODEL AVAILABLE

- * AIR SUPPLY NOTES:
- CUSTOMER IS TO SUPPLY CLEAN, DRY AIR.
 - APPROXIMATE AIR CONSUMPTION IS: 567 liter/minute @ 620 kPa


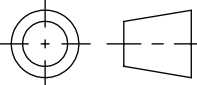


3 DIMENSIONAL VIEW
SCALE 1 : 4

TYPICAL SOUND PRESSURE AT 1 METER: 110db



WARNING: HIGH SOUND LEVELS CAN CAUSE PERMANENT HEARING LOSS. USE HEARING PROTECTION WHILE THIS PRODUCT IS IN USE.

MATERIAL:	DESIGN	JEF	08/05/05	 MAGTROL INC. 70 GARDENVILLE PKWY, W. BUFFALO, NEW YORK 14224-1322
	DRAWN	JEF	11/08/05	
FINISH:	CHECKED	AJC	03/21/06	
THIRD ANGLE PROJECTION				TITLE
UNLESS OTHERWISE SPECIFIED: DIMENSIONS ARE IN MILLIMETERS, DIAMETERS CONCENTRIC: .08 TIR, FACES PERPENDICULAR: .08 INTERPRETATION PER ASME Y14.5M-1994 REMOVE ALL BURRS AND BREAK SHARP EDGES .13/.25 X 45°, ALL INSIDE CORNERS TO BE .5 R MAX. TOLERANCES: X ± .4 .XX ± .13 .X ± .25 ANG. ± 1° SURFACE FINISH 3.2 µm MAX. U.O.S.				AHB-24, AIR COOLED HYSTERESIS BRAKE
THIS DRAWING AND SPECIFICATION CONTAINS PROPRIETARY INFORMATION TO MAGTROL INC. ANY DISCLOSURE OR REPRODUCTION OF THIS DOCUMENT WITHOUT WRITTEN AUTHORIZATION FROM MAGTROL INC. IS EXPRESSLY PROHIBITED				USED ON: - SIMILAR TO: - DWG. NO. AHB-24 REV F
SIZE B		SCALE 1:4	SHEET # 3 OF 3	